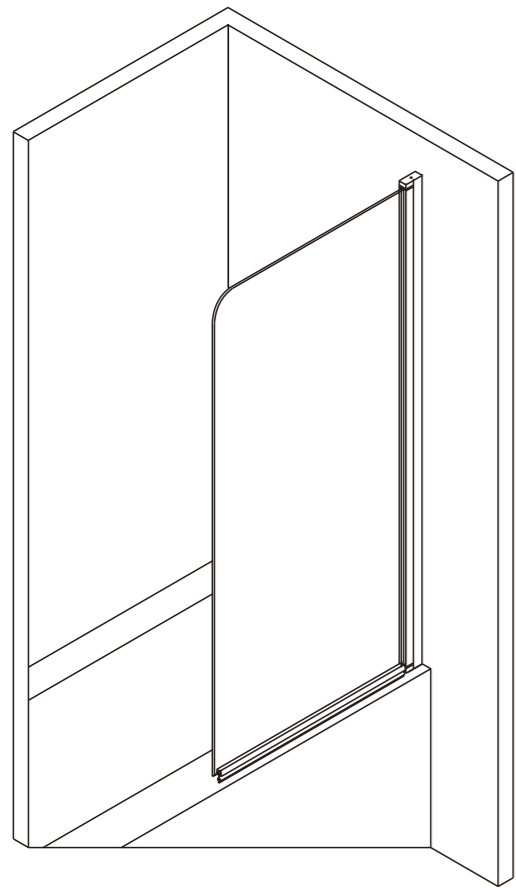


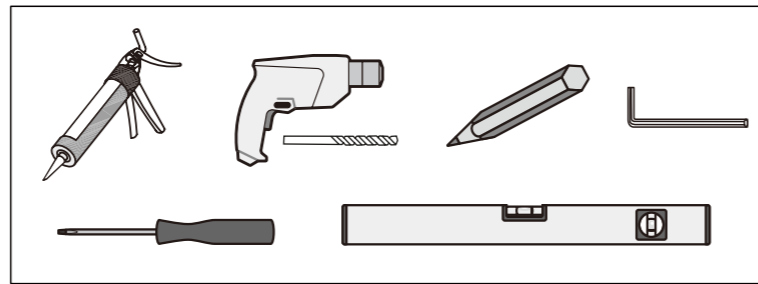
# INSTALLATION MANUAL

EX-201


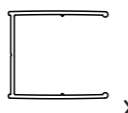
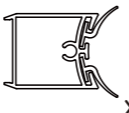

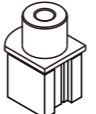
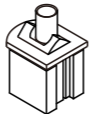
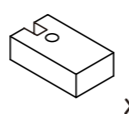







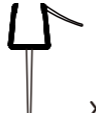


1

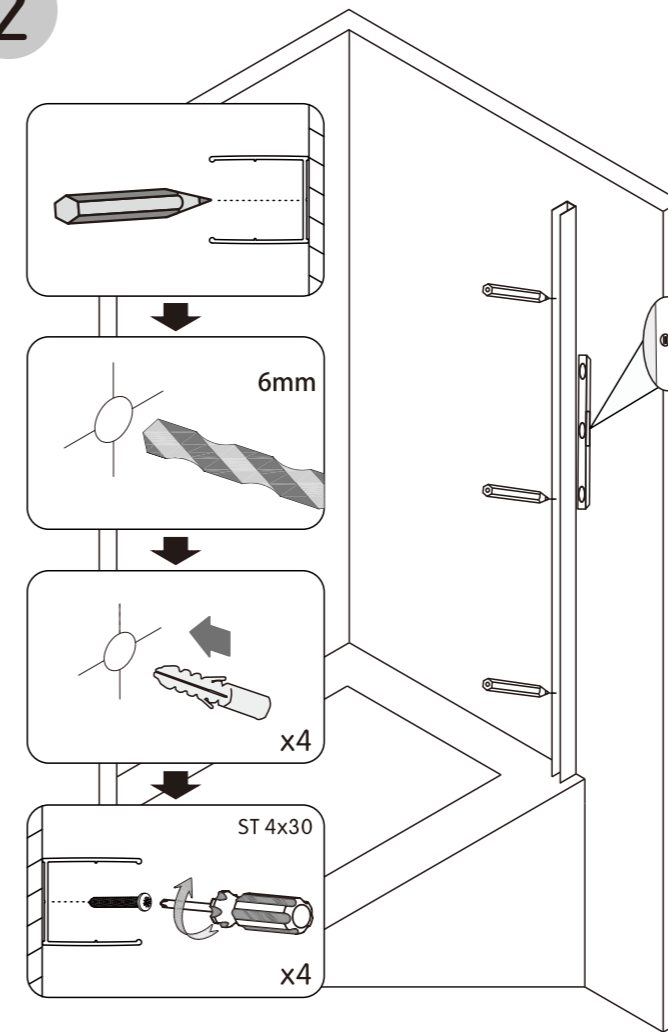
## TOOL PICTURE



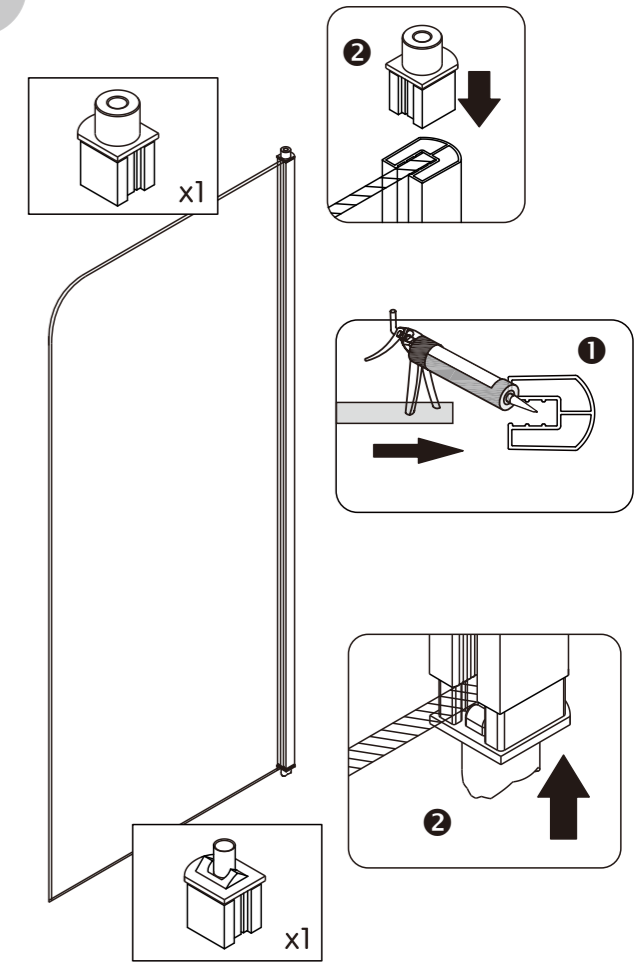
## ACCESSORY LIST

 x1	 x1	 x1	 x1
 x1	 x1	 x1	 x1
ST 4x30  x1	ST 4x16  x2	ST 4x30  x4	 x2
 x4	 x1	 x1	

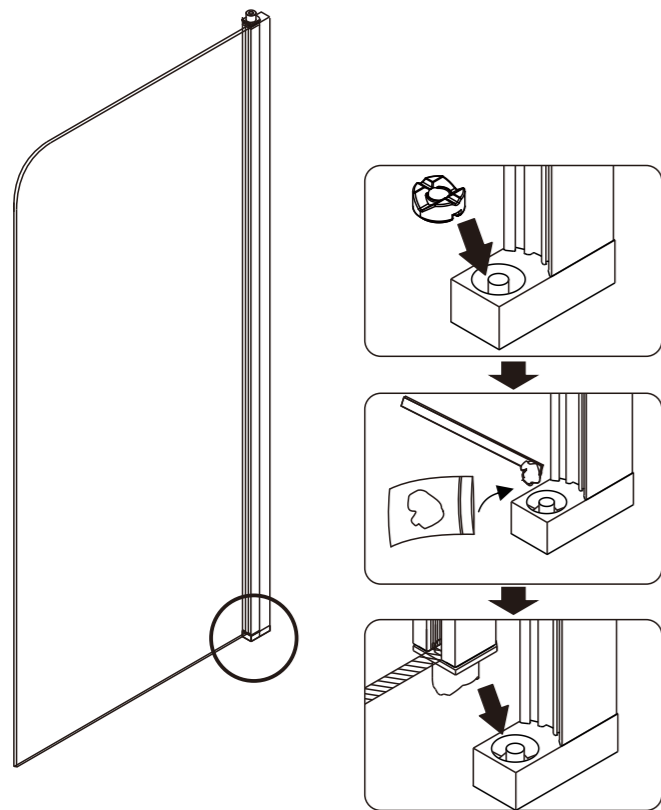
2



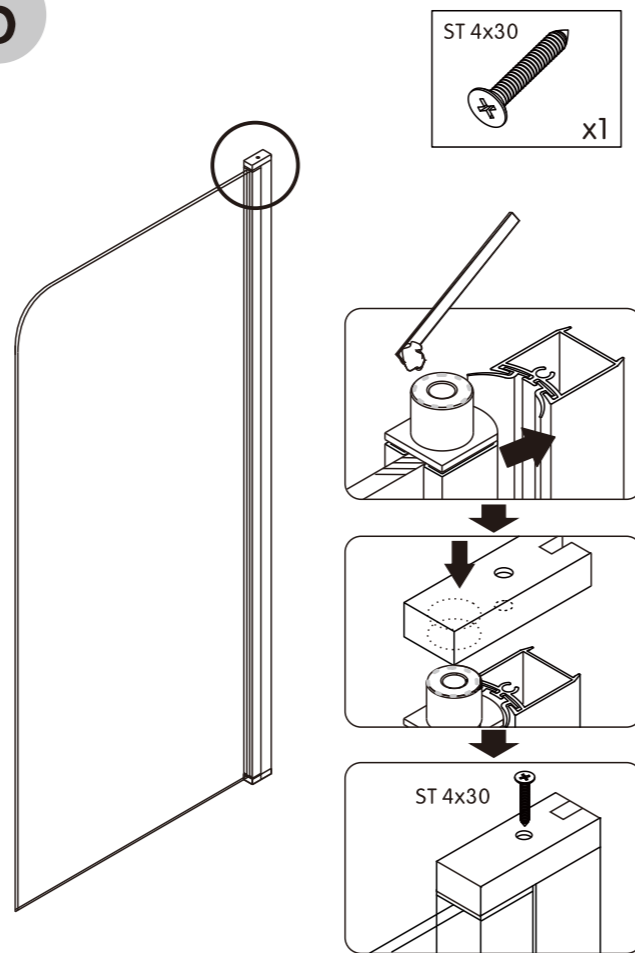
3



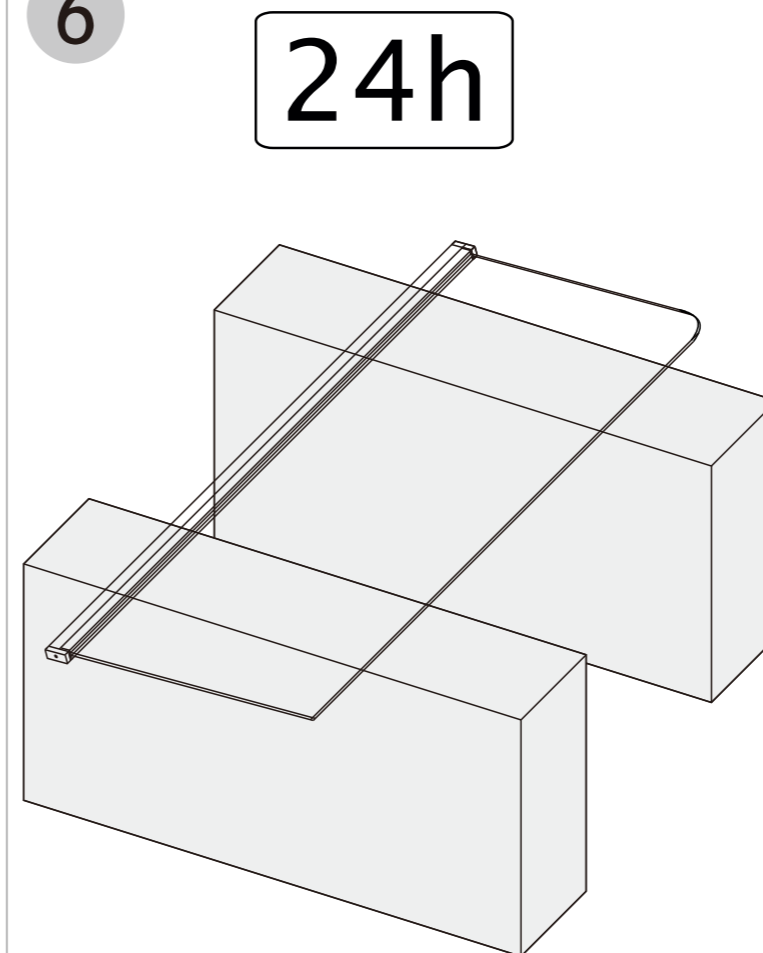
4



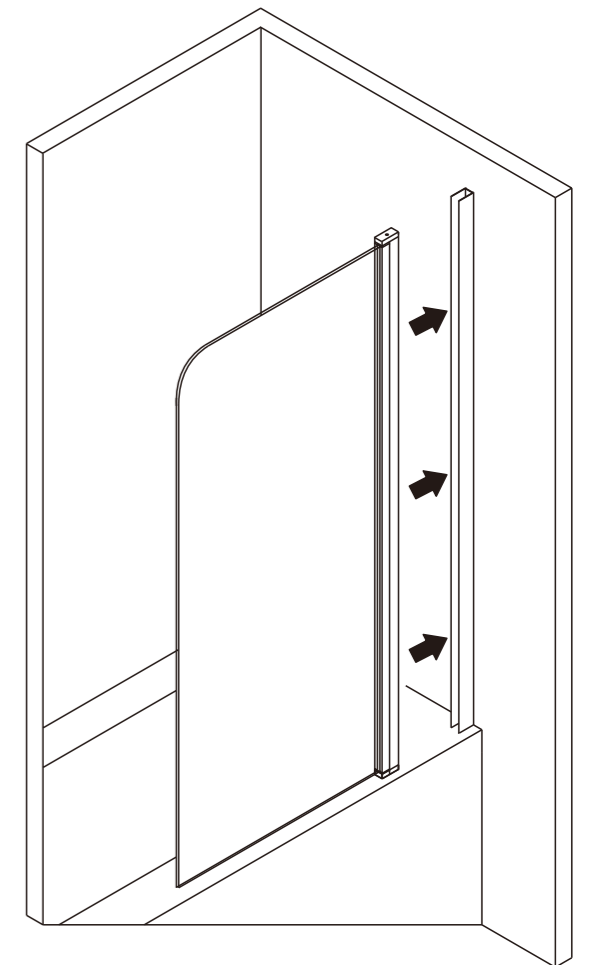
5



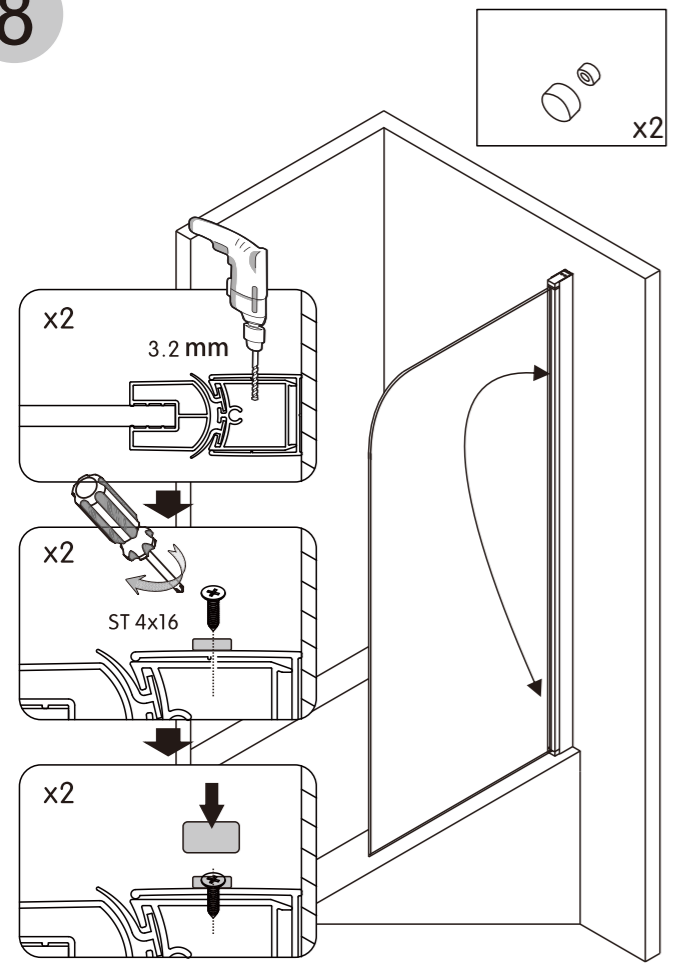
6



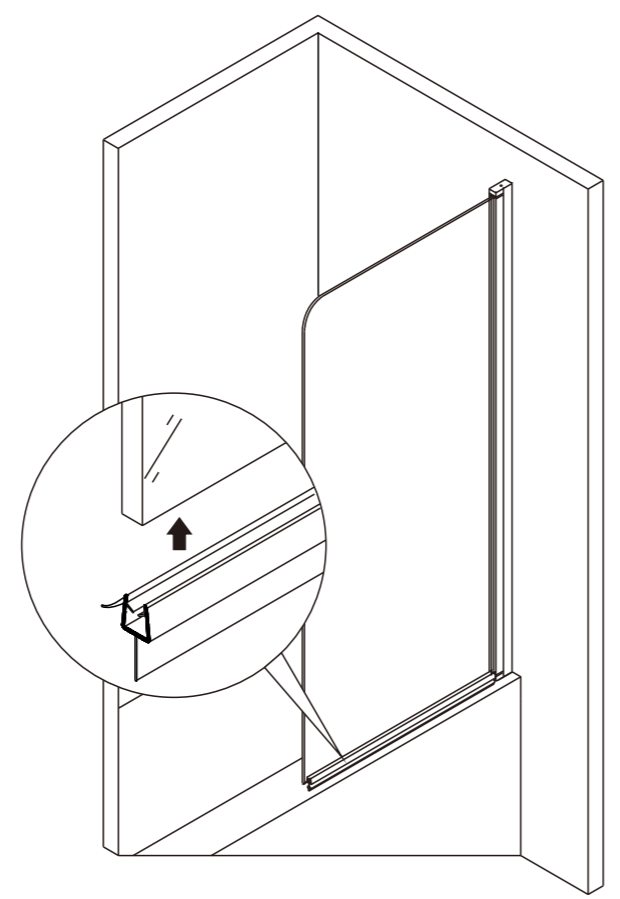
7



8



9



10

