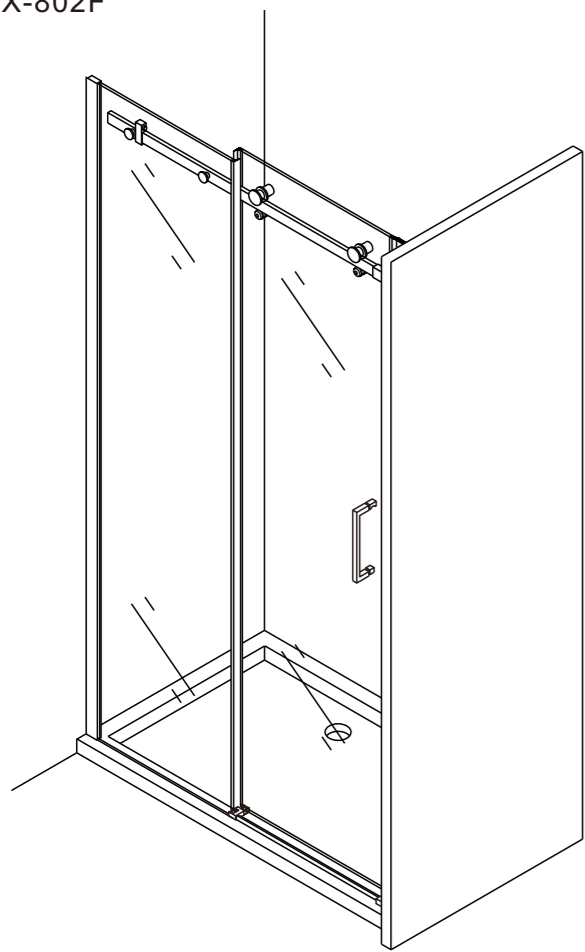


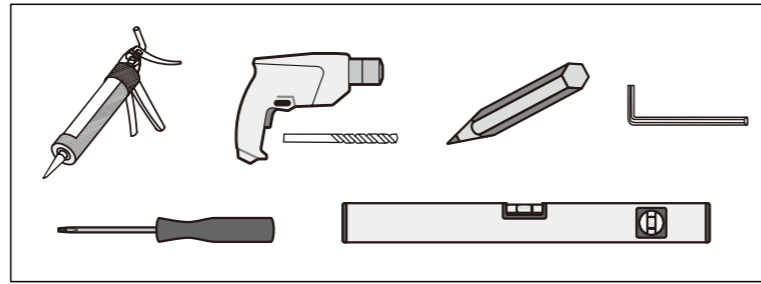
INSTALLATION MANUAL

EX-802F



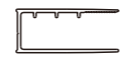
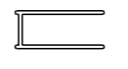

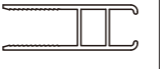




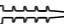



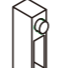



1

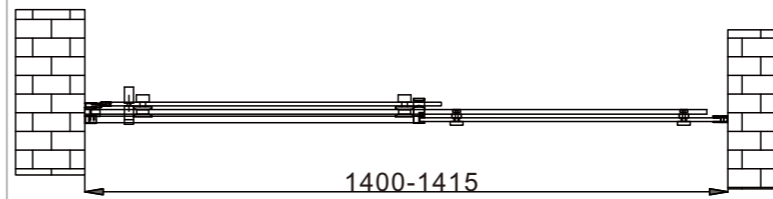
TOOL PICTURE




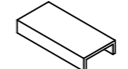








ACCESSORY LIST

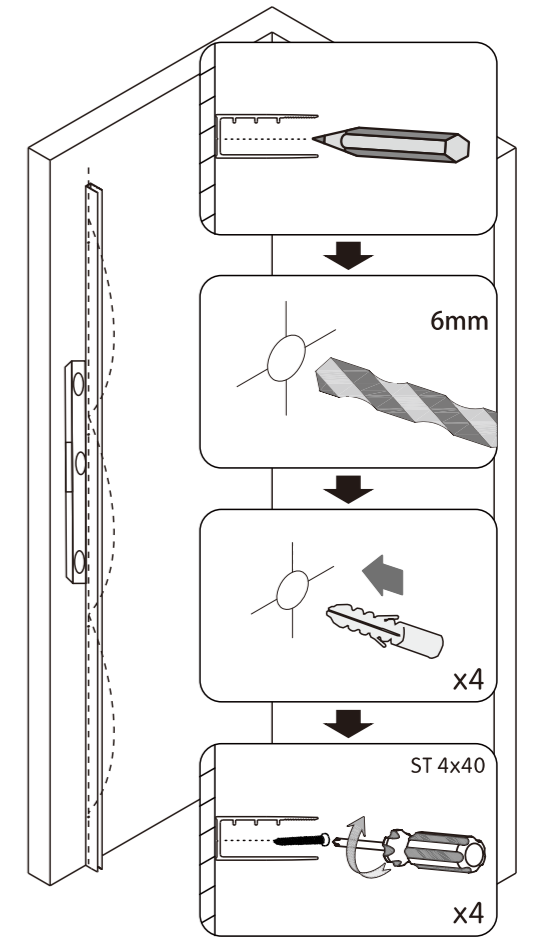
| | | | |
|--|---|--|--|
|  x1 |  x1 |  x1 |  x1 |
|  x1 |  x1 |  x1 |  x1 |
|  x2 |  x1 |  x1 |  x1 |
|  x1 |  x2 |  x1 |  x2 |

2

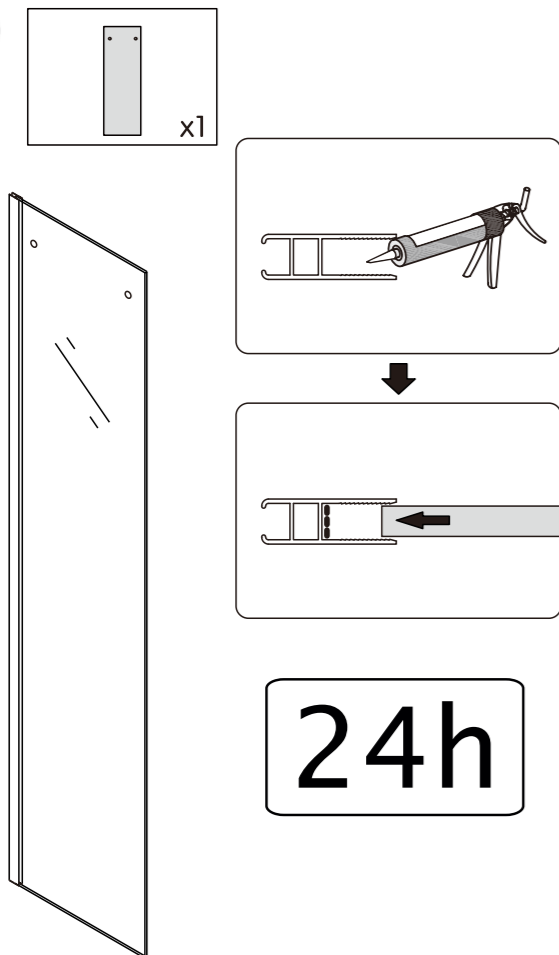


| | | | |
|---|---|---|---|
|  x2 |  x1 |  x1 |  x1 |
| ST 4x30  x4 | ST 4x40  x4 | ST 4x30  x1 | ST 4x16  x1 |
|  x10 |  x1 | | |

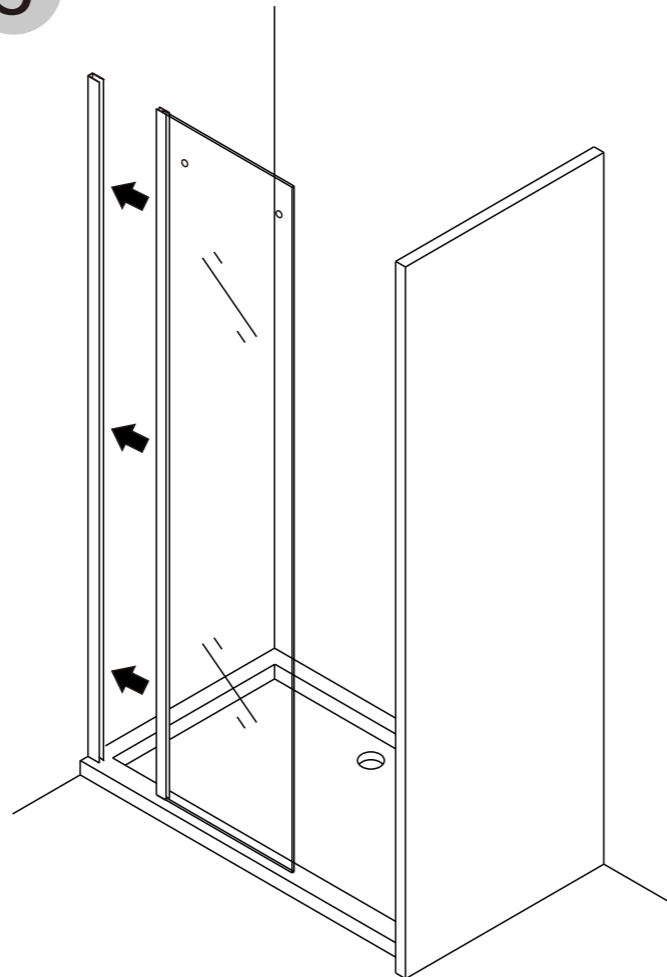
3



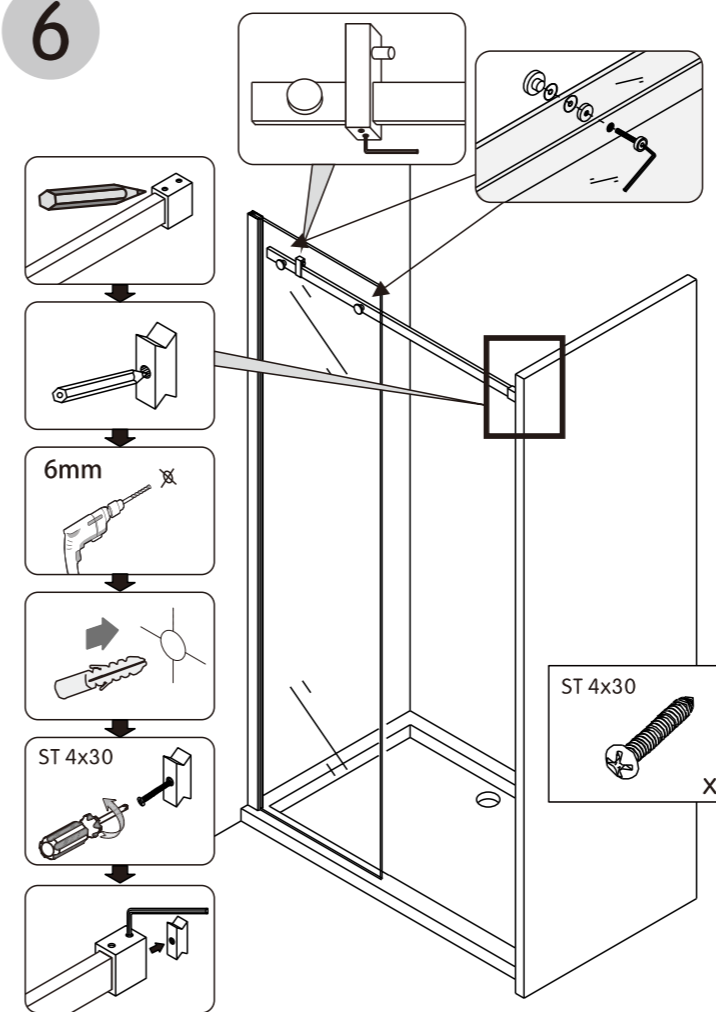
4



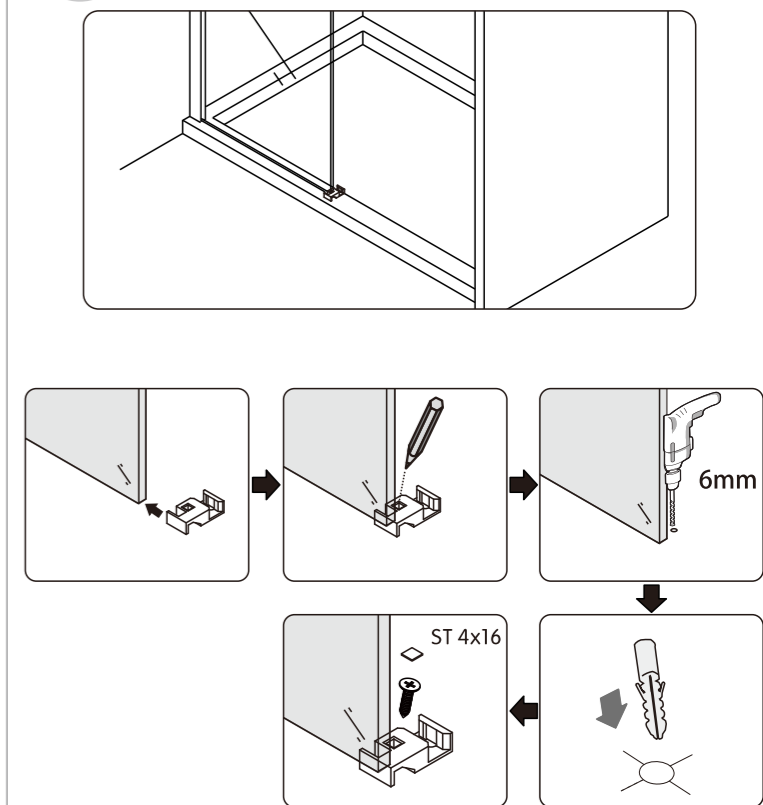
5



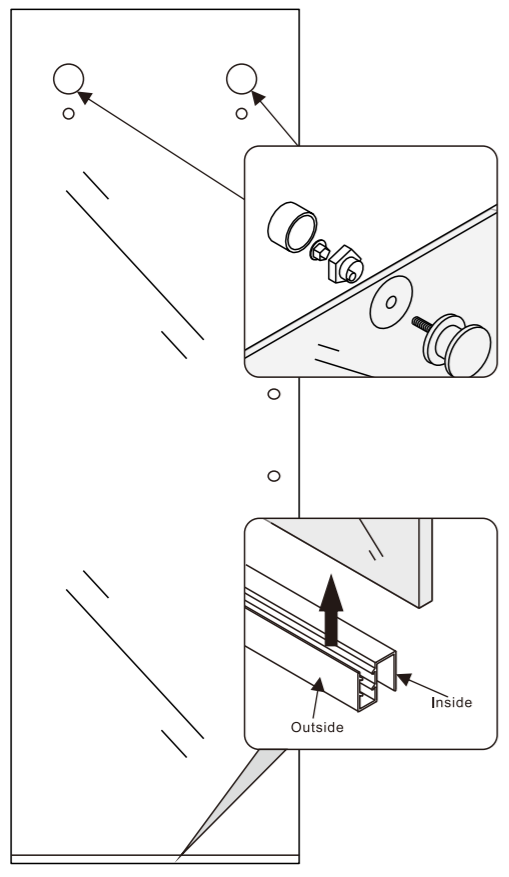
6



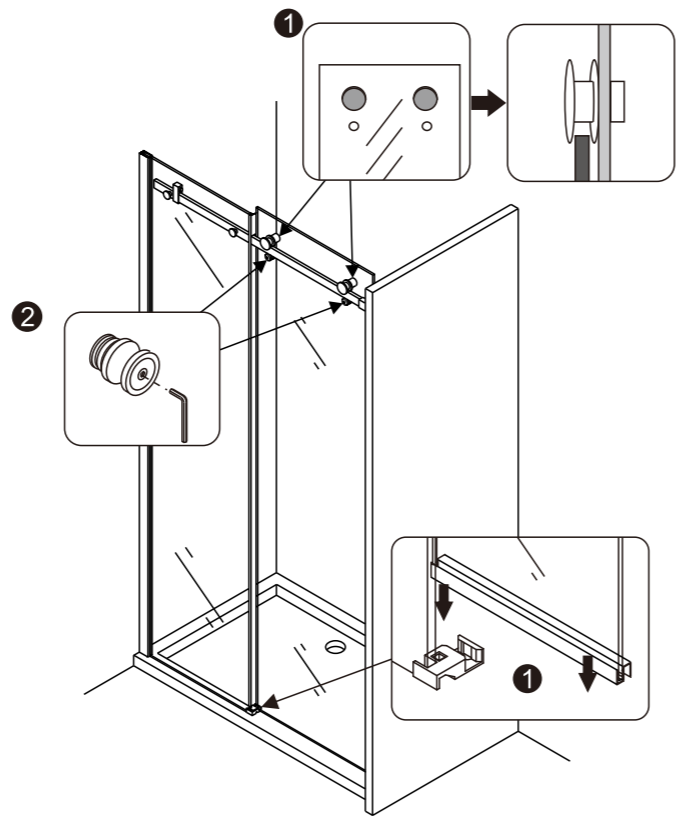
7



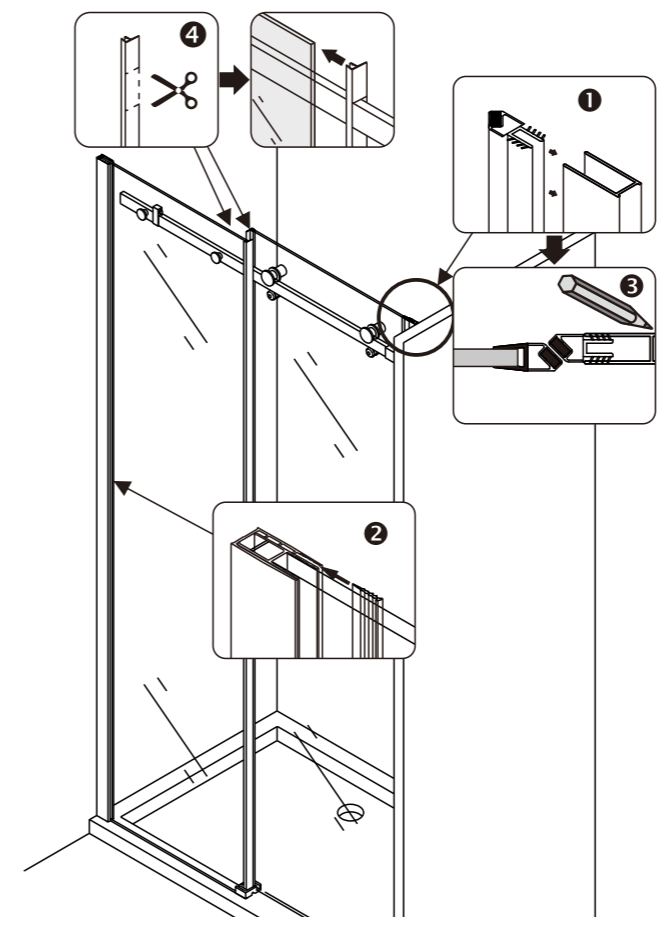
8



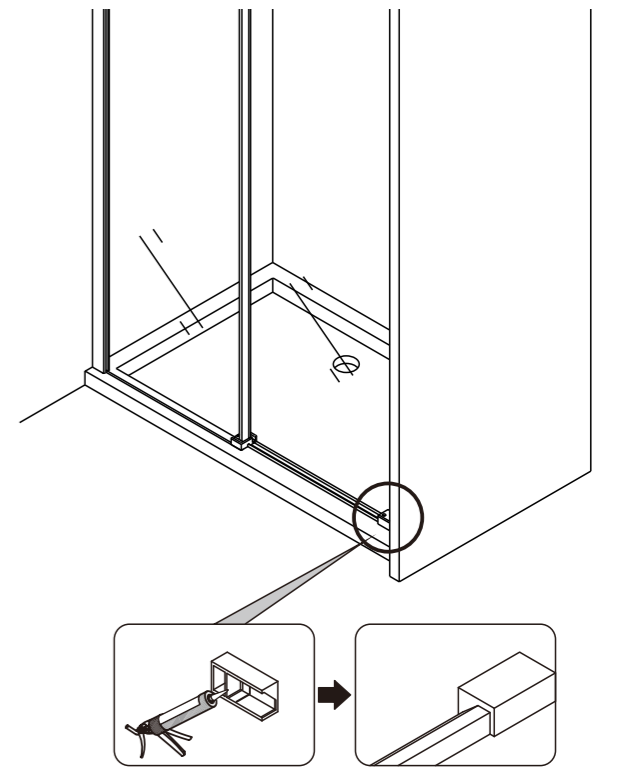
9



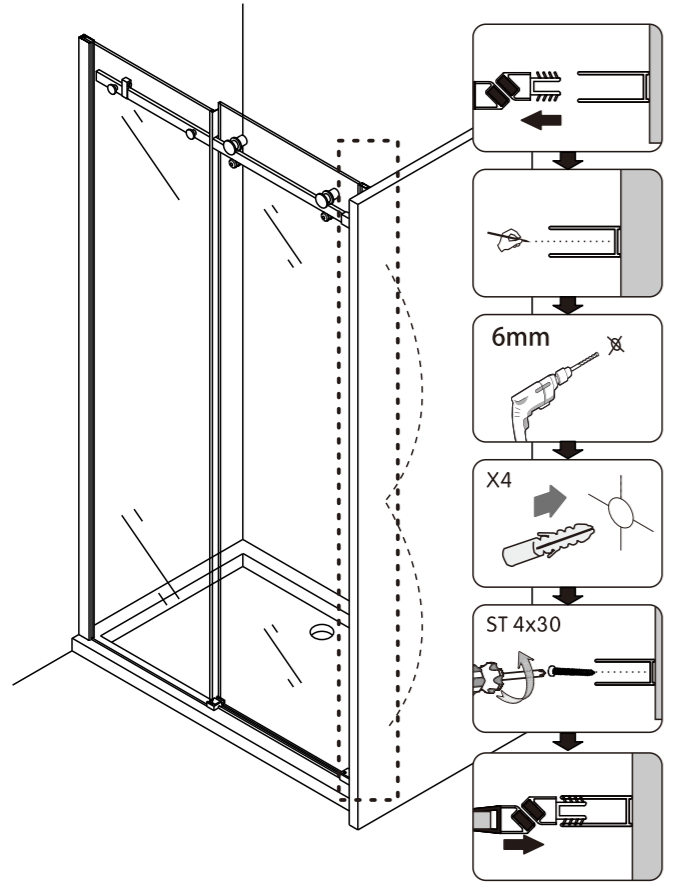
10



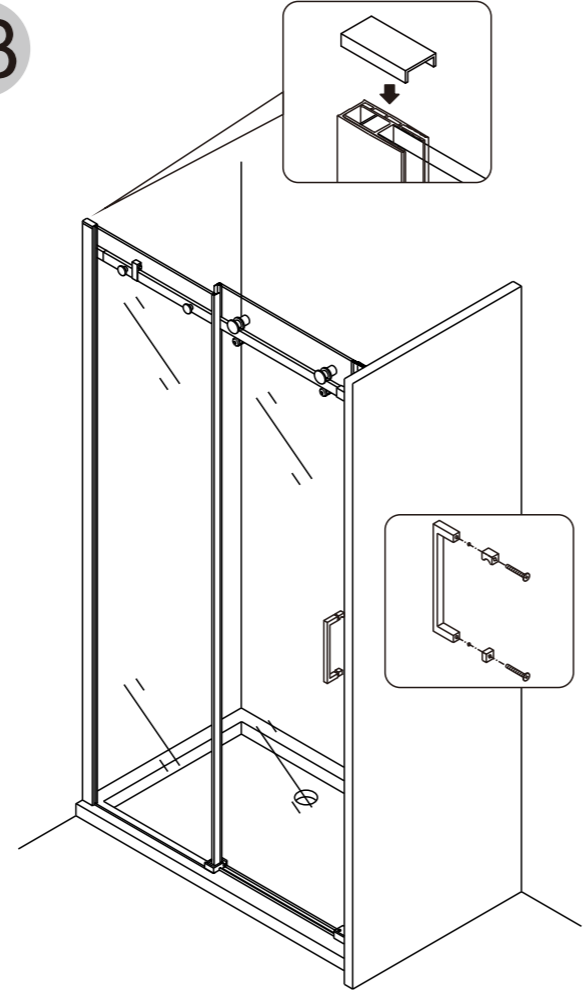
11



12



13



14

